



HALF-GALLON DISPENSERS

Order Today to Receive 2 FREE Cases of Half-Gallon Texas Pete® Product Per Dispenser



HEAVY DUTY

Sturdy Stainless Steel

EASY TO CLEAN

and Maintain

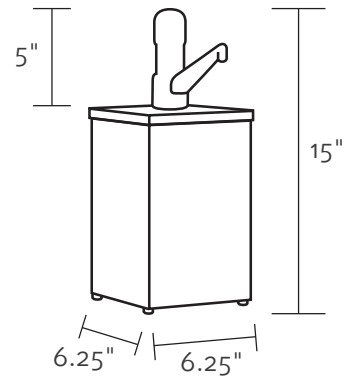
AIR-TIGHT DESIGN

and Tamper-Resistant

TEXAS PETE® DISPENSER PROGRAM

Add some bold, balanced flavor to your condiment station with all new Texas Pete® Sauce Dispensers! Each dispenser is made of durable stainless steel, designed to stand up to daily use and complement any decor. The pump attaches easily and securely to the half-gallon jug, creating an air-tight seal to keep your favorite sauces fresh.

FILL OUT THE ORDER FORM INCLUDED ON THE BACKSIDE TO RECEIVE YOUR TEXAS PETE® DISPENSER OR CONTACT YOUR BROKER OR GARNER FOODS SALES REPRESENTATIVE FOR MORE INFORMATION.



COMPATIBLE PRODUCTS

PRODUCT NAME	ITEM #	UPC CASE #	SIZE	CASE COUNT	CASE DIMENSIONS	CASE WEIGHT
Texas Pete® Original Hot Sauce	1.00046	100 75500 00046 8	½ gal	4	10.6" × 8.6" × 10.1"	19.33
CHA! by Texas Pete® Sriracha Sauce	1.00526	100 75500 00526 5	½ gal	4	10.6" × 8.6" × 10.1"	20.79
iSabor! by Texas Pete® Mexican-Style Hot Sauce	1.00648	100 75500 00648 4	½ gal	4	10.6" × 8.6" × 10.1"	19.33



GARNER FOODS | 614 W 4TH STREET | WINSTON-SALEM, NC 27101

GARNERFOODS.COM | TEXASPETE.COM | TEXASPETEFOODSERVICE.COM | GREENMOUNTAINGRINGO.COM | P. 336.661.1550 | F. 336.661.1901

©2018 Texas Pete® is a registered trademark of TW Garner Food Company. 815-0618





HALF-GALLON DISPENSERS

Order Today to Receive 2 FREE Cases of Half-Gallon Texas Pete® Product Per Dispenser

HOW TO GET YOUR TEXAS PETE® DISPENSER

Dispensers are \$90 each, and your order comes with 2 FREE cases of half-gallon product to get you started! Fill out this form and mail it, along with payment, to the address below. Please make checks payable to TW GARNER FOOD CO.

GARNER FOODS
ATTENTION: DISPENSER PROGRAM
614 W 4TH STREET, WINSTON SALEM, NC 27101

Email CustomerService@garnerfoods.com with any issues.

COMPANY:

TYPE OF OPERATION: **COMMERCIAL** **NON-COMMERCIAL**

PRIMARY DISTRIBUTOR: _____

CONTACT NAME: _____

CONTACT TITLE: _____

PHONE NUMBER: _____

EMAIL: _____

ADDRESS TO SHIP:

STREET: _____

CITY: _____

STATE: _____

ZIP CODE: _____

QUANTITY OF DISPENSERS TO ORDER:

× 1 TEXAS PETE® ORIGINAL DISPENSER
(×2 Cases of Half-Gallon Texas Pete® Original Hot Sauce)



Texas Pete® Original Hot Sauce features a secret blend of specially selected peppers fermented to perfection to assure plenty of bold, spicy goodness.



× 1 CHA! BY TEXAS PETE® DISPENSER
(×2 Cases of Half-Gallon CHA! by Texas Pete® Sriracha Sauce)



CHA! by Texas Pete® Sriracha Sauce is an epic showdown of sweet and heat, with its intense sriracha flavor. Featuring a tantalizing heat level, CHA! gives recipes an added kick.



× 1 iSABOR! BY TEXAS PETE® DISPENSER
(×2 Cases of Half-Gallon iSabor! by Texas Pete® Mexican-Style Hot Sauce)



iSabor! by Texas Pete® Mexican-Style Hot Sauce is a blend of Texas Pete® Sautéed Garlic Flavor Hot Sauce with a kick of flavorful spice blends that give it a uniquely vibrant taste.



ORDER TOTAL:

_____ **TOTAL DISPENSERS ORDERED × \$90 = \$** _____ **TOTAL ENCLOSED**

SIGNATURE:

Offer expires December 31, 2018. Offer valid for operators only. No orders will be accepted after December 31, 2018. Please allow 2-3 weeks to receive your dispenser after your order is placed. Dispensers subject to availability.



GARNER FOODS | 614 W 4TH STREET | WINSTON-SALEM, NC 27101
GARNERFOODS.COM | TEXASPETE.COM | TEXASPETEFOODSERVICE.COM | GREENMOUNTAINGRINGO.COM | P. 336.661.1550 | F. 336.661.1901
©2018 Texas Pete® is a registered trademark of TW Garner Food Company. 815-0618

