



HALF-GALLON DISPENSERS

Order Today to Receive 2 FREE Cases of Half-Gallon Texas Pete® Product Per Dispenser



HEAVY DUTY

Sturdy Stainless Steel

EASY TO CLEAN

and Maintain

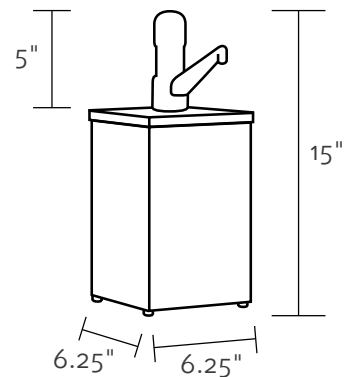
AIR-TIGHT DESIGN

and Tamper-Resistant

TEXAS PETE® DISPENSER PROGRAM

Add some bold, balanced flavor to your condiment station with all new Texas Pete® Sauce Dispensers! Each dispenser is made of durable stainless steel, designed to stand up to daily use and complement any decor. The pump attaches easily and securely to the half-gallon jug, creating an air-tight seal to keep your favorite sauces fresh.

FILL OUT THE ORDER FORM INCLUDED ON THE BACKSIDE TO RECEIVE YOUR TEXAS PETE® DISPENSER OR CONTACT YOUR BROKER OR GARNER FOODS SALES REPRESENTATIVE FOR MORE INFORMATION.



COMPATIBLE PRODUCTS

PRODUCT NAME	ITEM #	UPC CASE #	SIZE	CASE COUNT	CASE DIMENSIONS	CASE WEIGHT
Texas Pete® Original Hot Sauce	1.00046	100 75500 00046 8	½ gal	4	10.6" × 8.6" × 10.1"	19.33
CHA! by Texas Pete® Sriracha Sauce	1.00526	100 75500 00526 5	½ gal	4	10.6" × 8.6" × 10.1"	20.79
iSabor! by Texas Pete® Mexican-Style Hot Sauce	1.00648	100 75500 00648 4	½ gal	4	10.6" × 8.6" × 10.1"	19.33



GARNER FOODS | 614 W 4TH STREET | WINSTON-SALEM, NC 27101

GARNERFOODS.COM | TEXASPETE.COM | TEXASPETEFOODSERVICE.COM | GREENMOUNTAINGRINGO.COM | P. 336.661.1550 | F. 336.661.1901

©2019 Texas Pete® is a registered trademark of TW Garner Food Company. 881-0519





HALF-GALLON DISPENSERS

Order Today to Receive 2 FREE Cases of Half-Gallon Texas Pete® Product Per Dispenser

HOW TO GET YOUR TEXAS PETE® DISPENSER

Texas Pete® Dispensers are \$90/ea. and includes 2 FREE cases of half-gallon product to get you started! To pay by credit card, fill out and email the form to: ORDERS@GARNERFOODS.COM. An email will be sent to you from Square, to make your online purchase. To pay by check, fill out the form and mail it, along with payment to the address below. Once payment has been received, orders will be processed. *DO NOT PROVIDE ANY CREDIT CARD INFO ON THIS FORM.*

GARNER FOODS
ATTENTION: DISPENSER PROGRAM
614 W 4TH STREET, WINSTON SALEM, NC 27101

Email CustomerService@garnerfoods.com with any issues.

COMPANY:

TYPE OF OPERATION: **COMMERCIAL** **NON-COMMERCIAL**

PRIMARY DISTRIBUTOR:

CONTACT NAME:

CONTACT TITLE:

PHONE NUMBER:

EMAIL:

ADDRESS TO SHIP:

STREET:

CITY:

STATE:

ZIP CODE:

QUANTITY OF DISPENSERS TO ORDER:

× 1 TEXAS PETE® ORIGINAL DISPENSER

(×2 Cases of Half-Gallon Texas Pete® Original Hot Sauce)



Texas Pete® Original Hot Sauce features a secret blend of specially selected peppers fermented to perfection to assure plenty of bold, spicy goodness.



× 1 CHA! BY TEXAS PETE® DISPENSER

(×2 Cases of Half-Gallon CHA! by Texas Pete® Sriracha Sauce)



CHA! by Texas Pete® Sriracha Sauce is an epic showdown of sweet and heat, with its intense sriracha flavor. Featuring a tantalizing heat level, CHA! gives recipes an added kick.



× 1 ¡SABOR! BY TEXAS PETE® DISPENSER

(×2 Cases of Half-Gallon ¡Sabor! by Texas Pete® Mexican-Style Hot Sauce)



¡Sabor! by Texas Pete® Mexican-Style Hot Sauce is a blend of Texas Pete® Sautéed Garlic Flavor Hot Sauce with a kick of flavorful spice blends that give it a uniquely vibrant taste.



ORDER TOTAL:

TOTAL DISPENSERS ORDERED × \$90 = \$ _____ **TOTAL** **PAYMENT TYPE:** **CHECK** **CREDIT CARD** DO NOT PROVIDE ANY CREDIT CARD INFO ON THIS FORM.

SIGNATURE:

Offer expires December 31, 2024. Offer valid for operators only. No orders will be accepted after December 31, 2024. Please allow 2-3 weeks to receive your dispenser after your order is placed. Dispensers subject to availability.



GARNER FOODS | 614 W 4TH STREET | WINSTON-SALEM, NC 27101
GARNERFOODS.COM | TEXASPETE.COM | TEXASPETEFOODSERVICE.COM | GREENMOUNTAINGRINGO.COM | P. 336.661.1550 | F. 336.661.1901
©2019 Texas Pete® is a registered trademark of TW Garner Food Company. 881-0519

